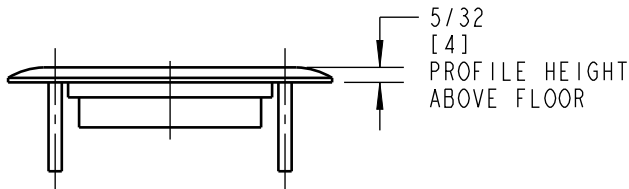
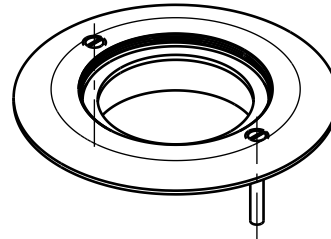
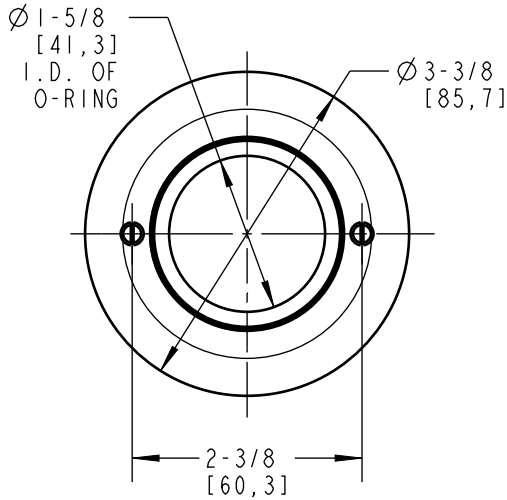


CATALOG NUMBERS:
P 90 CP, P 90 CP AL



FEATURES:

1. FOR USE WITH 671-SC, 672, 78, 88 AND 98 SERIES FLOOR BOXES
2. AVAILABLE IN SOLID BRASS AND ALUMINUM
3. FURNISHED WITH MATCHING 6-32 X 1" FLATHEAD SCREWS, AND GASKET

CATALOG NUMBERS	MATERIAL	FINISH
P 90 CP	SOLID BRASS	BRASS
P 90 CP AL	ALUMINUM	ALUMINUM

GENERAL NOTES

1. ALL DIMENSIONS ARE FOR REFERENCE ONLY.
2. DIMENSIONS IN BRACKETS [] ARE IN METRIC UNITS.

REVISIONS

A SEE ECN (****) FOR APPROVAL SIGNATURES & RELEASE DATE.
PROJECT NO: ****

DESCRIPTION:

**P 90 CP, P 90 CP AL
CARPET PLATE, ROUND**

Thomas & Betts
A Member of the ABB Group

ORIGINAL PROJECT NO / ECN NO

003V001056 / ECN000083908

SHEET NO:

1 OF 1

REV. NO:

A

DRAWING NO:

WSD-002610